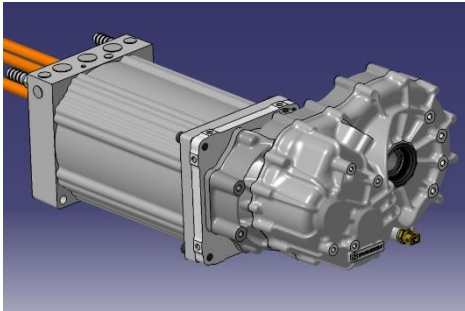


Swindon Powertrain Monthly Newsletter

Design & Simulation Dept

September 2020



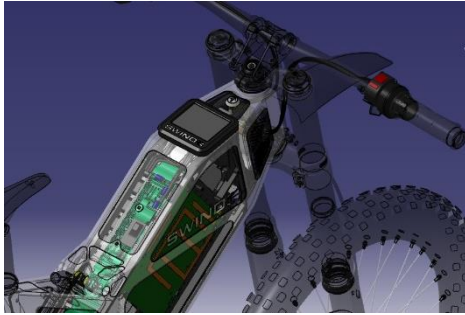
Electric Powertrain

Since the launch of the HPD E Powertrain we have been inundated with enquiries and orders for the lightweight, compact electric drive system for passenger, sports and light commercial vehicles. To complement the launch 80 kWatt eMotor variant, we have already begun work on higher power electric motors to ensure that we continue to meet market demand across a wide range of vehicle types



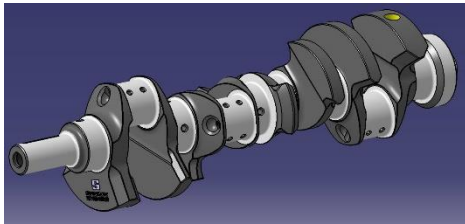
Transmission Systems

Since the launch of the HPE E Powertrain system our engineers have been busy working on evolutions of the EV transmission system in order to remain ahead of the competition. As a result of the development programme undertaken, we will have some exciting news to share with our customers in the coming months which will see EV transmission design taken to the next level, whilst still at an affordable price point for our customers



Electric Mountain Bicycle

As part of our commitment to developing the best electrification products for our customers, we have continued to push the technology envelope of the SWIND EB-01 electric mountain bicycle and as such, we are in the process of rolling out an improved user interface, new user control features in addition to our unwavering commitment to optimise the overall mass of our product



ICE Design & Simulation

Whilst we have nearly half a century of ICE design behind us, we are continuing to witness a global shift towards electrification projects. However, as a company we have pledged to continue supporting our customers with their combustion engine projects, now and in the future and so please do not hesitate to contact Swindon Powertrain to discuss your specific engine project with us